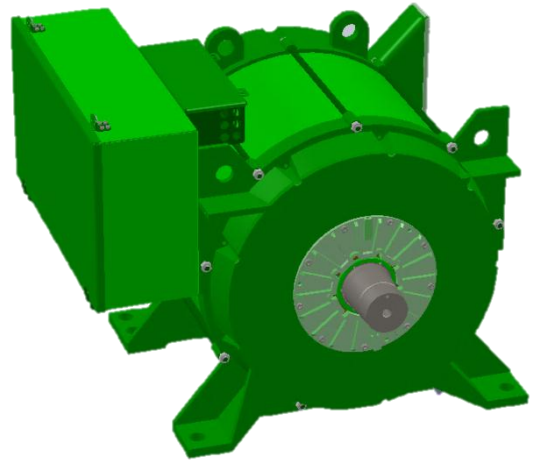


LC28,29,38,39

Drilling Motor

2000 – 3000 Hp



Performance ratings

These machines are Permanent Magnet (PM) drilling motors. Temperature rise of 100°C at 55°C ambient.

| LC28,LC29 | Continuous Rating | Drawworks Duty Cycle |
|----------------------------|-------------------|----------------------|
| Volts (AC) | 575 | 575 |
| Current (Amp) | 1800 | 2300 |
| HP (kW) | 2000 (1492) | 2440 (1820) |
| Speed at rated HP (RPM) | 900-1200 | 800 |
| Torque – lbf -ft (Nm) | 11677 (15820) | 16013 (21713) |
| Speed @ rated torque (RPM) | 0 to 900 | 0 to 800 |
| Coolant Flow at 14psi–GPM | 20 (76 lpm) | 20 (76 lpm) |

| LC38,LC39 | Continuous Rating | Drawworks Duty Cycle |
|----------------------------|-------------------|----------------------|
| Volts (AC) | 575 | 575 |
| Current (Amp) | 2700 | 3450 |
| HP (kW) | 3000 (2238) | 3660 (2730) |
| Speed at rated HP (RPM) | 900-1200 | 800 |
| Torque – lbf -ft (Nm) | 17515(23730) | 24020 (32570) |
| Speed @ rated torque (RPM) | 0 to 900 | 0 to 800 |
| Coolant Flow at 14psi–GPM | 30 (114 lpm) | 30 (114 lpm) |

LC Drives is a new company that brings revolutionary technology to the permanent magnet marketplace. This technology allows an even higher power density and does not require a cost premium.

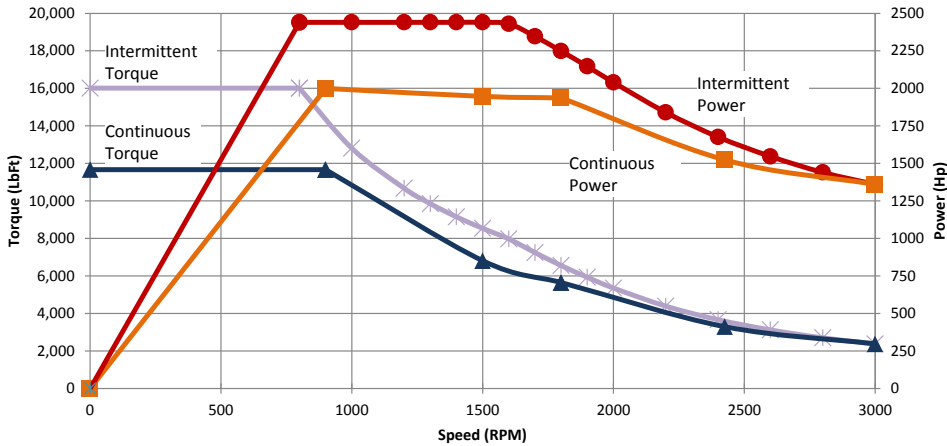
Standard Features

- **LC28/LC38** - special bearing design for axial loads
- **LC29/LC39** – oversized roller bearing and shaft for radial loads
- FORM WOUND windings
- Class H insulation, machine wound, Inverter grade wire and Kapton system
- 4340 alloy shaft
- Insulated bearing on non-drive end
- Single shaft extension with hub
- IP56 Stainless steel connection box with bus bar connections for main cables and terminals for RTDs
- Winding RTDs, 100 ohm platinum; 2 per phase
- Pressure sensor to verify water circulation
- Space heater
- Coolant: 50% mixture ethylene glycol & water
- IP56 assembly rating
- Same shaft height and mounting feet dimensions as the GEB series motors
- -40°C to +55°C operating temperature range
- Configurable junction box for either side
- Maximum coolant inlet temperature 75C
- Max speed 3000 RPM

Optional Features

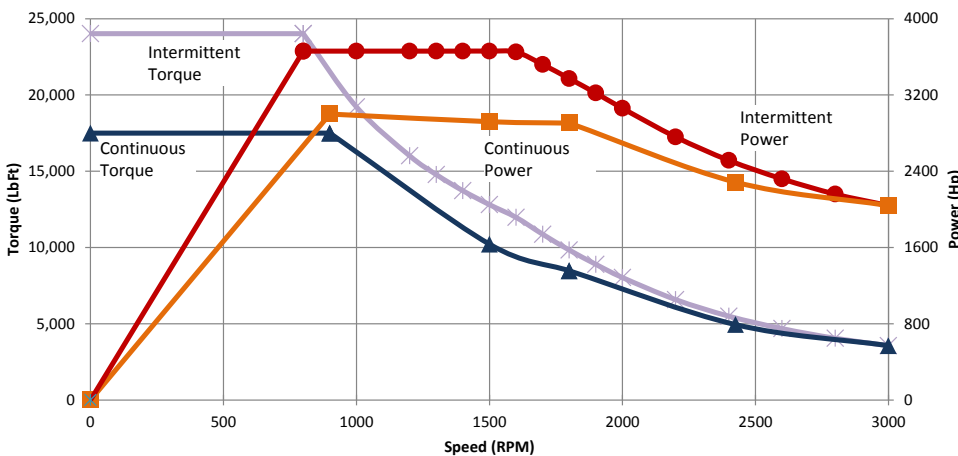
- ATEX certified Ex e II T3, Ex II 2 G c T3
- CE Ex Tamb -40°C to +55°C
- ABS certification
- ABS certified shaft
- Encoder or Resolver outputs
- Bearing RTDs
- Current monitor
- Data logging

LC28 & LC29 2000 HP (1500kW) performance

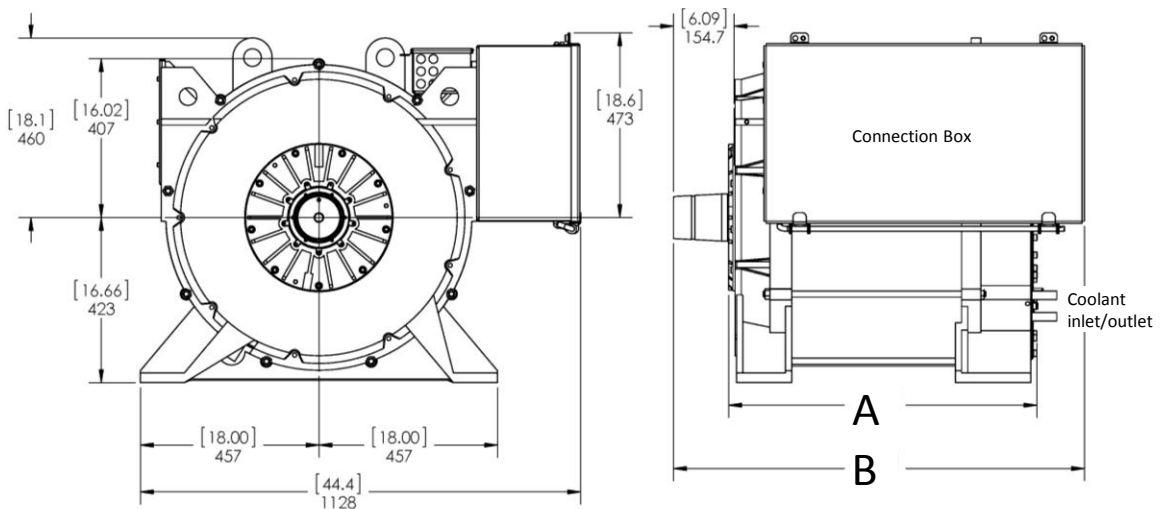


Approximate weight:
4290lbs. (1950kg)
Dimension A:
35 inches (890 mm)
Dimension B:
45 inches (1140 mm)

LC38 & LC39 3000 HP (2250kW) performance



Approximate weight:
5830lbs. (2650kg)
Dimension A:
45 inches (1140 mm)
Dimension B:
51 inches (1300 mm)



Dimension are approximate. Not to be used for construction.